

GHEDINI[®] ATTACHMENTS

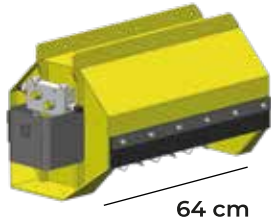
2025 Catalogue

February edition

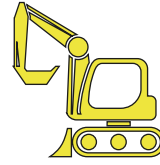
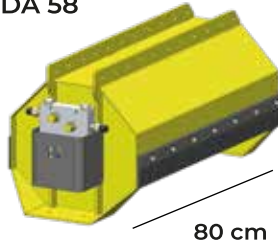


Mulcher for excavators

DA 56



DA 58



1 - 3,5 ton



Ø 6 cm



DA 56 - 110 kg
DA 58 - 130 kg



ton.



lt./min.



nr.



ton.



lt./min.



nr.

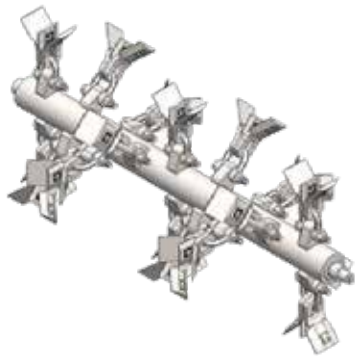
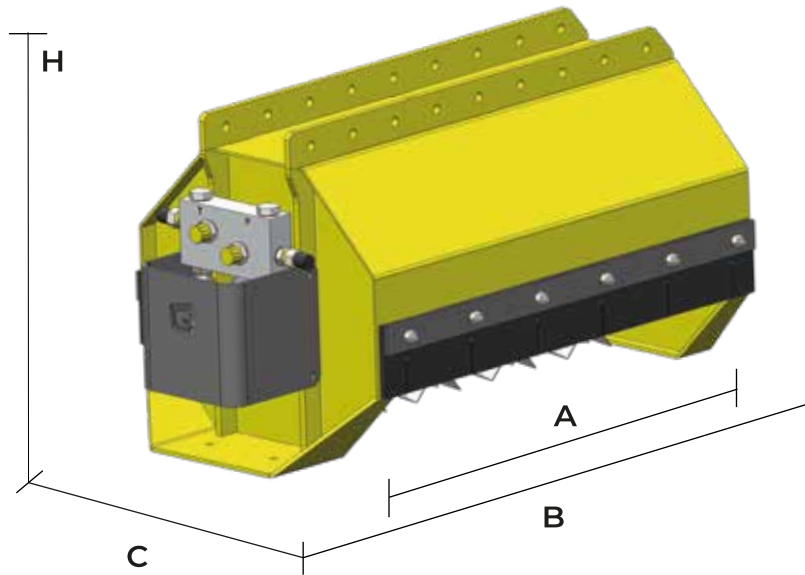
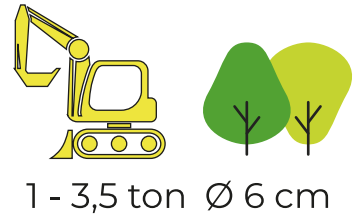
DA 56 K06	1 - 1,3	19	16
DA 56 K08	1,4 - 2,5	26	
DA 56 K11	2,5 - 3	33	

DA 58 K08	1,4 - 2,5	26	18
DA 58 K11	2,5 - 3	33	
DA 58 K14	3 - 3,5	44	



Mulcher for excavators

Rotation
3000 rpm
BIDIRECTIONAL



"K" rotor with knives



QA 05
Composed of:
1x knife I cod. 90026
2x knife / cod. 90014
1x u-bolt cod. 90002
1x screw/nut cod.
90004 + 90003



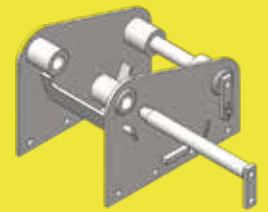
"H" rotor with hammers



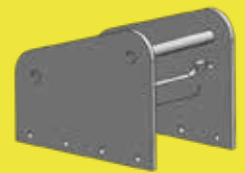
QA 14
Composed of:
1x hammer 90093
1x u-bolt 90002
1x screw/nut cod.
90004 + 90003

MEASURES

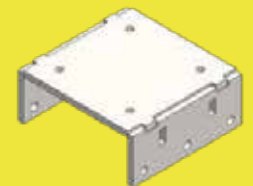
	A (mm.)	B (mm.)	H (mm.)	C (mm.)
DA 56	640	820	440	400
DA 58	800	990	440	400



VD 51
Coupling with
removable pins



VD 52
Coupling with
welded pins



VD 50
Bolted flat
plate

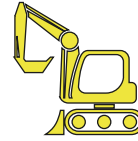


VD 54
Quick coupling
adapter

Mulcher for excavators



SKF - bearings and seals.
We build exclusively with original SKF bearings and seals.



2 - 6 ton



Ø 8 cm



165 - 232



- Direct transmission ✓
- Aluminium engine ✓
- Anti-shock and anti-cavitation valves ✓
- 6 mm thick carpentry ✓



ton.



Kg.



n.



n.



Lt./min.

	ton.	Kg.	n.	n.	Lt./min.
DA 06	2 - 3,5	165	16	16	33 - 44 - 55
DA 08	2,5 - 4,5	186	20	20	33 - 44 - 55
DA 10	3 - 6	232	24	24	33 - 44 - 55

Mulcher for excavators

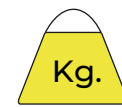
Rotation
3000 rpm
BIDIRECTIONAL



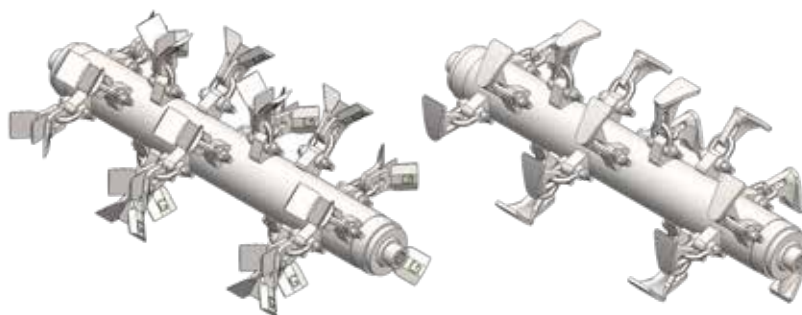
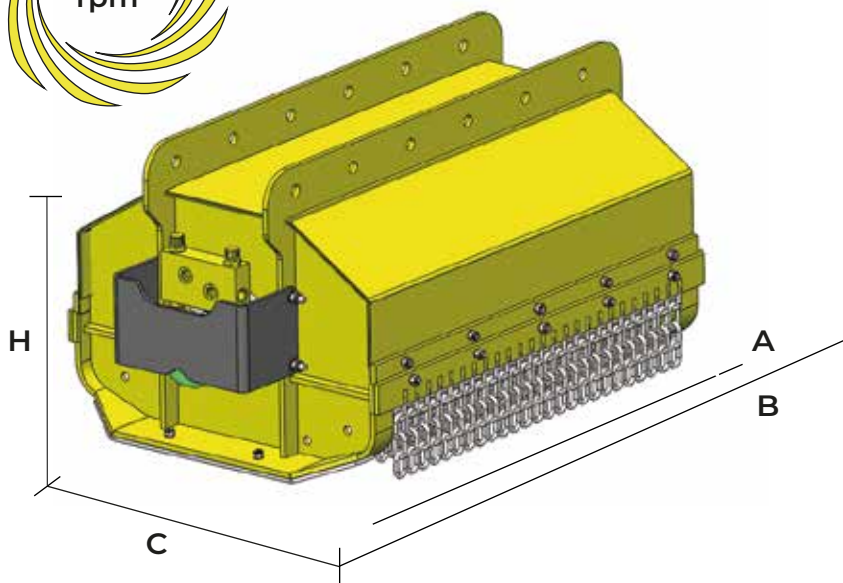
2 - 6 ton



Ø 8 cm



165 - 232 Kg.



“K” rotor with knives “H” rotor with hammers

QA 05

Composed of:

1x knife I cod. 90026

2x knife / cod. 90014

1x u-bolt cod. 90002

1x screw/nut cod. 90004 + 90003



QA 14

Composed of:

1x hammer 90093

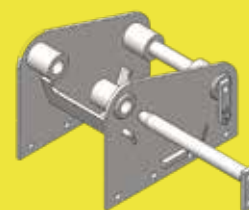
1x u-bolt 90002

1x screw/nut cod. 90004 + 90003

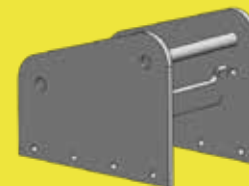
MEASURES



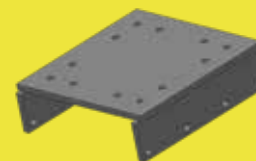
	A (mm.)	B (mm.)	H (mm.)	C (mm.)
DA 06	600	811	538	700
DA 08	804	998	538	700
DA 10	1042	1242	538	724



VD 71
Coupling with
removable pins



VD 74
Coupling with
welded pins



VD 72
Bolted flat
plate

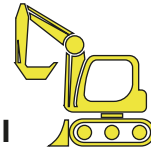


VD 73
Quick coupling
adapter

Mulcher for excavators



SKF - bearings and seals.
We build exclusively with original SKF bearings and seals.



5 - 30 ton



Ø 12 cm



374 - 725



Lt./min.

DK 10	5 - 8	374	16	10	55 - 66 - 88
DK 13	8 - 12	461	20	12	66 - 88 - 100
DK 16	13 - 18	597	24	14	100 - 120 - 150
DK 19	18 - 23	653	28	18	100 - 120 - 150
DK 22	20 - 30	725	32	20	100 - 120 - 150

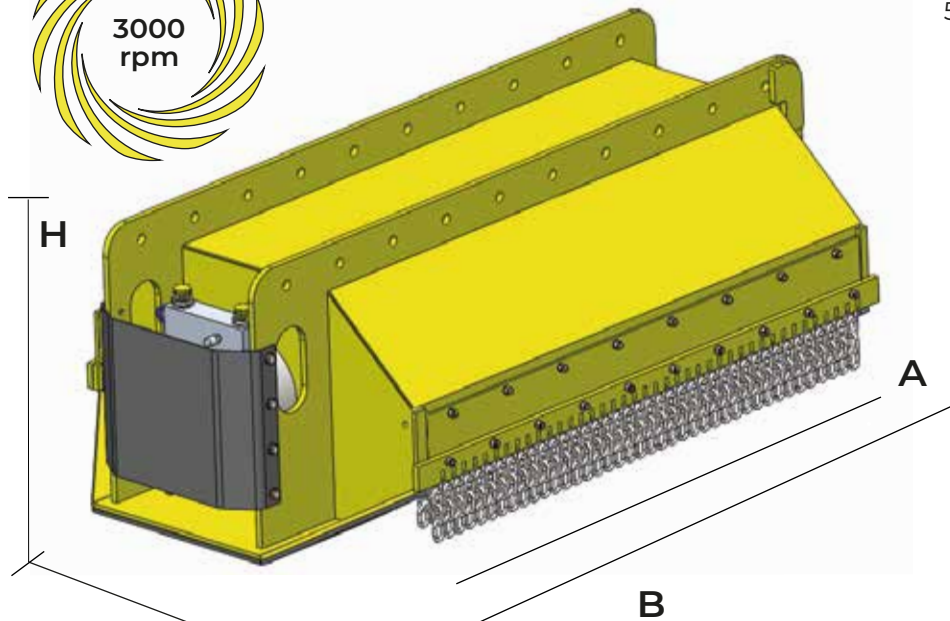
Mandatory drainage for back pressures above 7 bar.

Mulcher for excavators

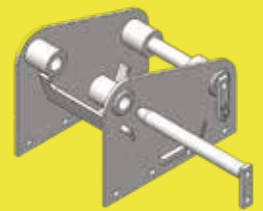
Rotation
3000 rpm



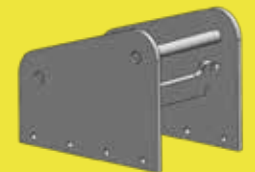
5 - 30 ton Ø 12 cm 374 - 725



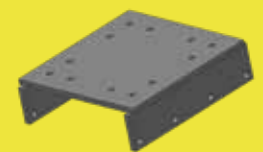
Arm connection



VD 31 (pins $\varnothing < 50$ mm)
VD 41 (pins $\varnothing > 50$ mm)
Coupling with removable pins



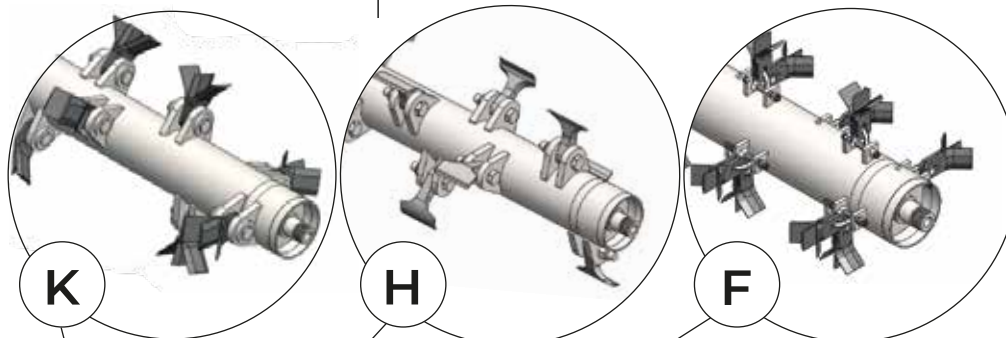
VD 61 (pins $\varnothing < 50$ mm)
VD 81 (pins $\varnothing > 50$ mm)
Coupling with welded pins



VD 43
Bolted flat plate



VD 32 (up to 5,5 ton)
VD 42 (over 5,5 ton)
Quick coupling adapter



QA 21	QA 22	QA 20
composed of:	composed of:	composed of:
1x knife I 90040	1x hammer 90038	1x knife I 90020
2x knife / 90041	1x screw M24 02928	2x knife / 90019
2x washer 14025	1x nut 02148	1x u-bolt 90021
1x screw M24 02928	2x washer 14502	1x screw M12 71235
1x nut M24 02148		2x nut M12 02901

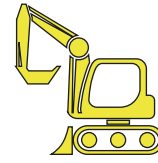
MEASURES

	A (mm.)	B (mm.)	H (mm.)	C (mm.)
DK 10	1080	1376	615	946
DK 13	1306	1674	615	946
DK 16	1574	1942	615	946
DK 19	1876	2244	615	946
DK 22	2157	2525	615	946

Forestry mulcher





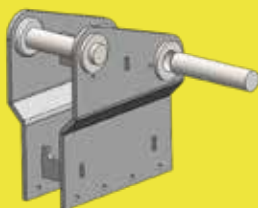
SKF - Bearings and clamps
We build exclusively with bearings, original SKF tightenings and ring nuts



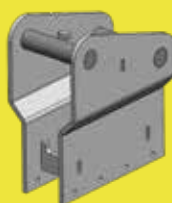
5 - 20 ton Ø 25 cm



COD.	 Max lt./min.	COD.	 Max lt./min.
DF 10 F27	70		
DF 10 F38	100	DF 13 F38	100
DF 10 F48	120	DF 13 F48	120
DF 10 F64	170	DF 13 F64	170



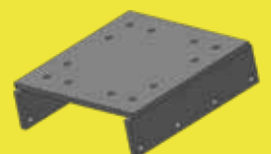
VD 63
Pin attachment removable



VD 62
Pin attachment fixed (welded)

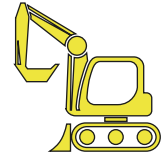


VD 64
Adapter for quick hitch



VD 50
Flat plate bolted

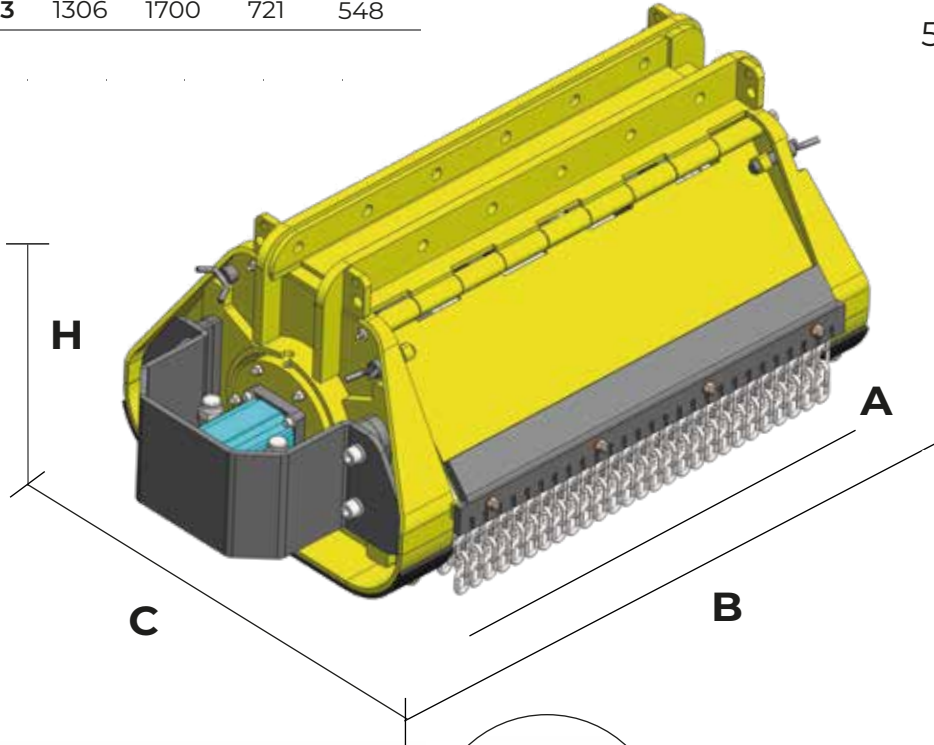
Forestry mulcher



5 - 30 ton Ø 25 cm

MEASURES 

	A (mm.)	B (mm.)	C (mm.)	H (mm.)
DF 10	868	1264	721	548
DF 13	1306	1700	721	548

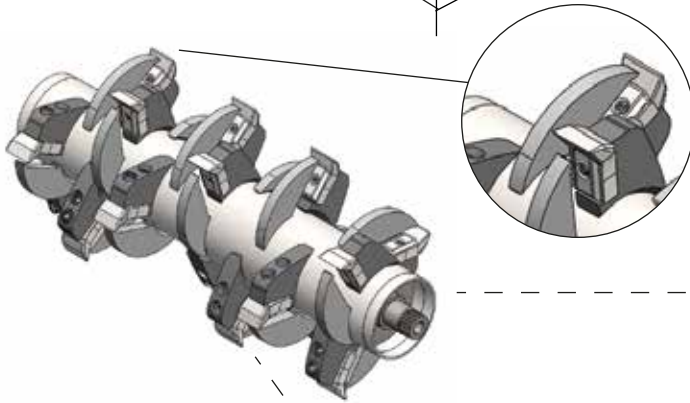


TEETH

	n.
DF 10	18
DF 13	27

WEIGHT

	Kg.
DF 10	420
DF 13	550



Cutting regulation system

Cod. 90095

Timber and high vegetation teeth



Interchangeable teeth

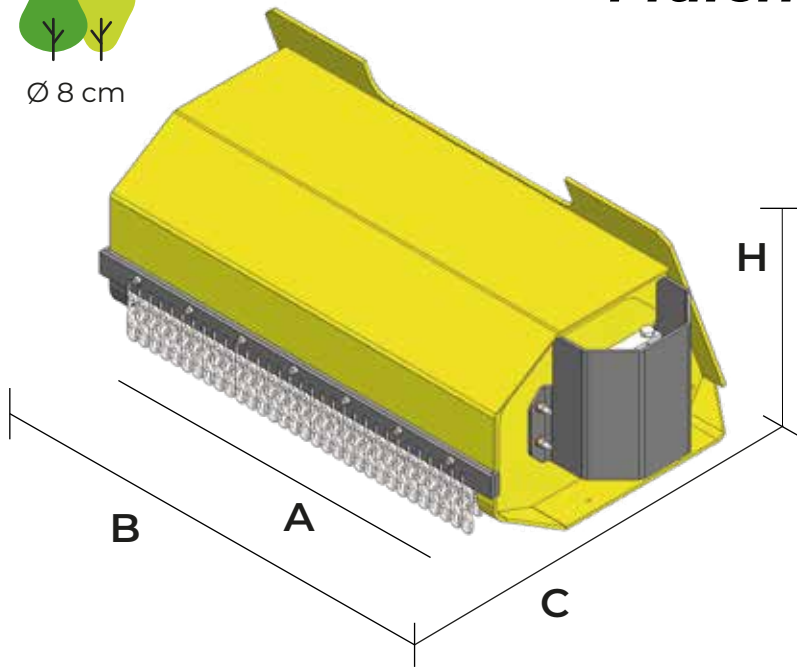
Cod. 90094
Hard metal tips teeth for stony terrain



Mulcher for skid loaders







Ø 8 cm



MEASURES 

	A (mm.)	B (mm.)	H (mm.)	C (mm.)
DB 06	600	898	564	680
DB 08	798	1096	564	680
DB 10	1042	1335	564	680

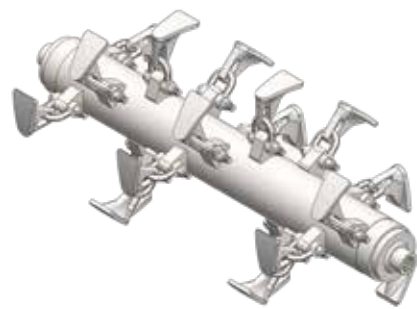
MODEL	 Kg.			 Lt./min.
DB 06	165	16	16	33 - 44 - 55
DB 08	186	20	20	33 - 44 - 55
DB 10	232	24	24	33 - 44 - 55 - 66



"K" rotor with knives



QA 05
Composed of:
1x knife I cod. 90026
2x knife / cod. 90014
1x u-bolt cod. 90002
1x screw/nut cod. 90004 + 90003



"H" rotor with hammers

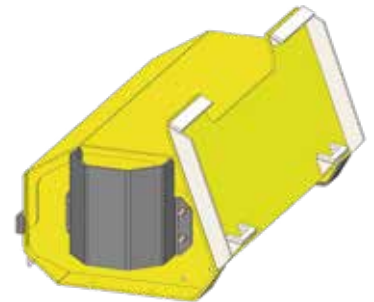
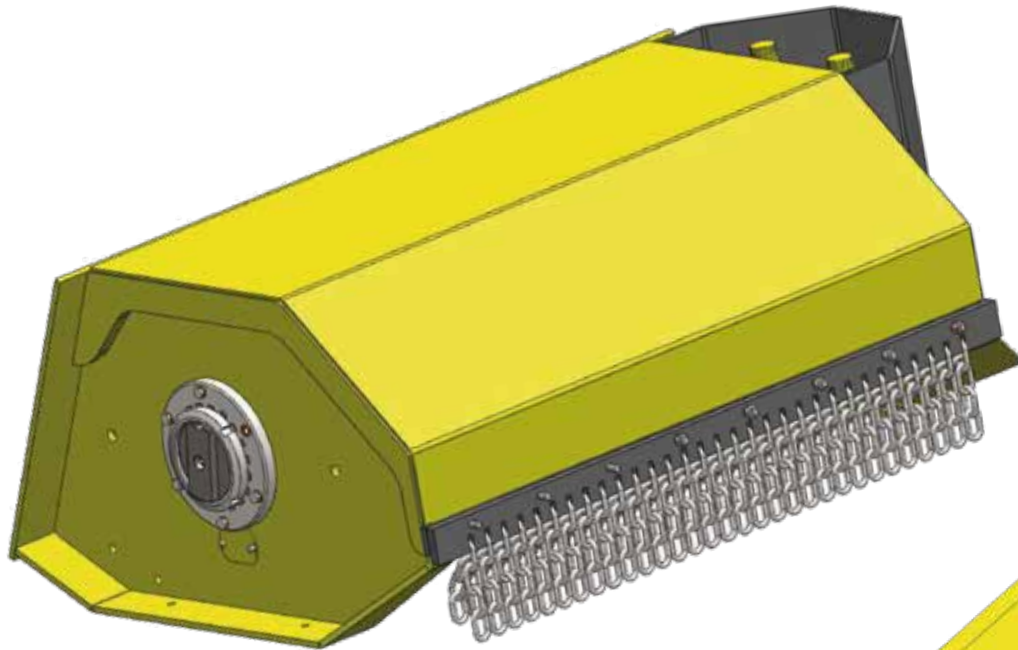


QA 14
Composed of:
1x hammer 90093
1x u-bolt 90002
1x screw/nut cod. 90004 + 90003

Mulcher for skid loaders



SKF - bearings and seals.
We build exclusively with original SKF bearings and seals.



Bobcat Standard
cod. UD 13



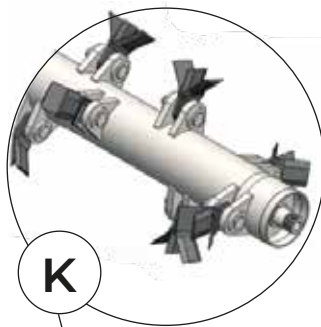
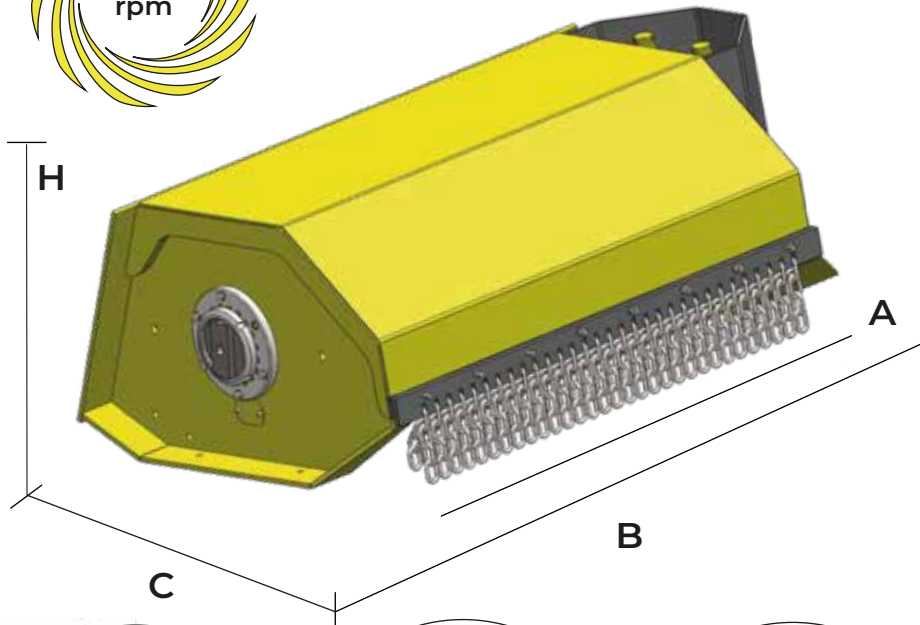
Lt./min.

	Kg.			Lt./min.
DC 10	360	16	10	55 - 66 - 88
DC 13	440	20	12	66 - 88 - 100
DC 16	490	24	14	100 - 120 - 150
DC 19	530	28	18	100 - 120 - 150
DC 22	580	32	20	100 - 120 - 150

Mulcher for skid loaders



Ø 12 cm



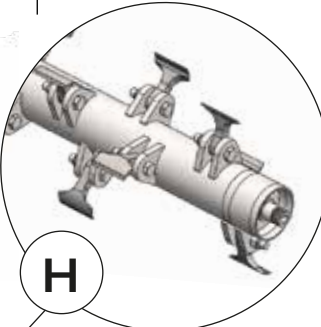
K



QA 21

composed of:

- 1x knife I
90040
- 2x knife /
90041
- 2x washer
14025
- 1x screw M24
02928
- 1x nut M24
02148



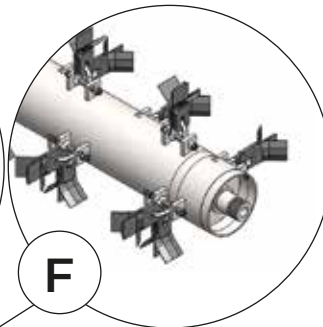
H



QA 22

composed of:

- 1x hammer
90038
- 1x screw M24
02928
- 1x nut
02148
- 2x washer
14502



F



QA 20

composed of:

- 1x knife I
90020
- 2x knife /
90019
- 1x u-bolt
90021
- 1x screw M12
71235
- 2x nut M12
02901

MESURES

	A (mm.)	B (mm.)	H (mm.)	C (mm.)
DC 10	1007	1390	515	919
DC 13	1308	1691	515	919
DC 16	1570	1953	515	919
DC 19	1878	2261	515	919
DC 22	2160	2543	515	919

Auger drive unit for mini excavators

- Direct drive ✓
- No external drainage required ✓
- 1 pin excavator arm bracket included ✓



Features

MODEL		TA 01 E31	TA 01 E40	TA 01 E56
Speed	[rounds/lt.]	3,2	2,5	2,1
Max Oil flow	[ltrs/min]	75	75	75
Max pressure	[bar]	230	230	230
Output power	[Kw]	15	12,5	9,6
Exc. Operative weight	[ton.]	0,8	1,5	2,5
Max torque	[kNm]	1	0,99	0,99
Auger unit weight	[Kg]	19	20	22



Short drill bit



Log splitter conic drill bit



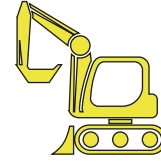
Tiller



1 mt soil drill bit

Auger drive unit for mini excavators

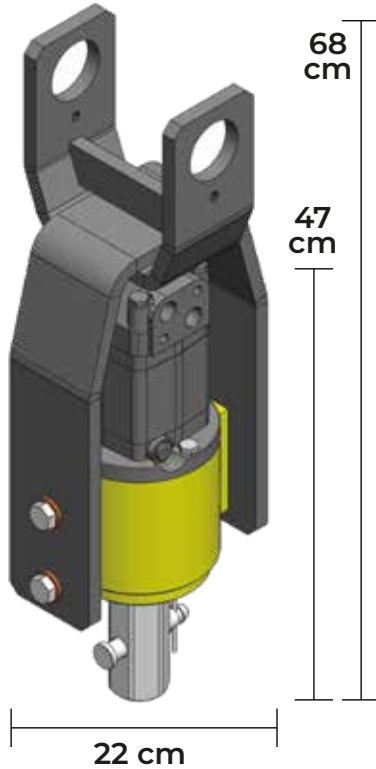
TA 01 + VT 68
Vertical standard
bracket



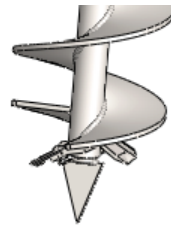
0,8 to 2,5 Tons



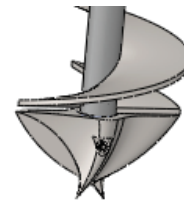
hexagonal
shaft 50mm



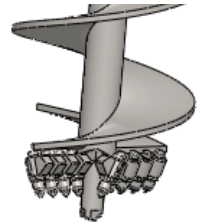
TA 01 Drill Bits



mod. SL
soft soils
(agricultural)



mod. SD
mixed soils



mod. SY
rocky soils



mod. SJ 52
Stump grinder bit



mod. SHR 30
Ground Tiller

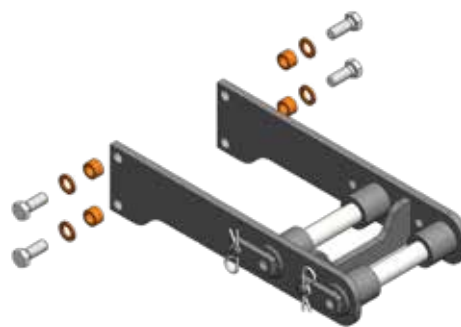


mod. SJ 50
Log splitter bit

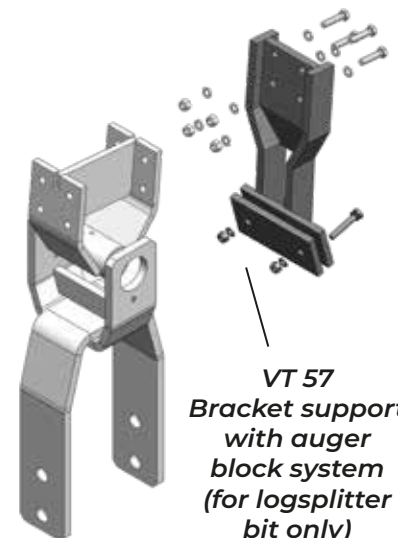
Other excavator arm brackets



VT 68 + VT 56
Quick hitch
adapter
(not included)



VT 65
Lateral arm
connection bracket



VT 57
Bracket support
with auger
block system
(for log splitter
bit only)

Auger drive unit for excavators



Horizontal connection

Features

- No external drainage required ✓
- 1 pin arm bracket included ✓

MODEL		TB 06 E08	TB 06 E10	TB 06 E20
Speed	[rounds/lt.]	2,1	1,2	0,8
Max oil flow	[ltrs/min.]	80	80	80
Max pressure	[bar]	200	200	200
Output power	[Kw]	10	12	15
Weight	[Kg.]	38	40	40
Torque	[kNm]	1,1	1,3	2,6
Exc. operative weight (roughly)	[ton.]	1,8 - 2,5	2,5 - 4	4 - 6



Sideways connection



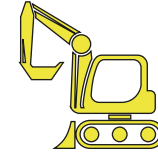
Skidloader connection



Log splitter

Auger drive unit for excavators

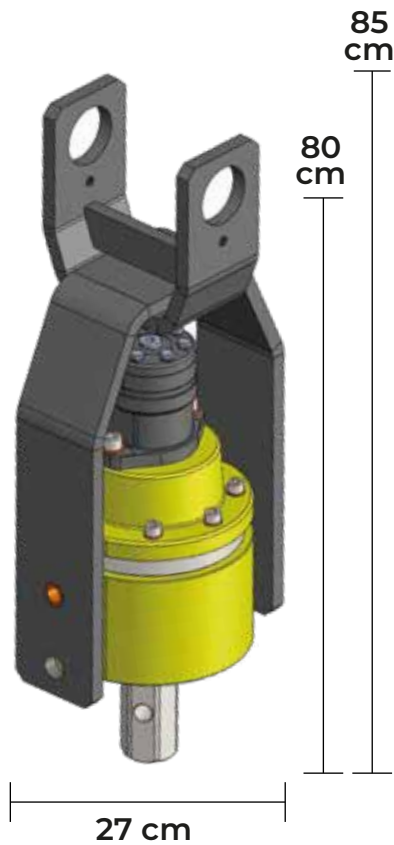
TB 06 E08 with vertical standard bracket



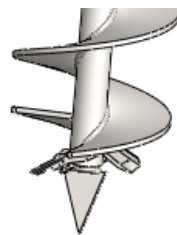
Up to 6 tons



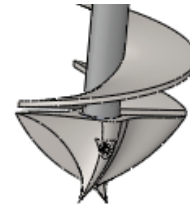
Hexagonal shaft
50MM



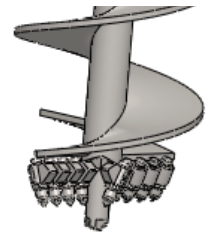
TB 06 drill bits



mod. SL
soft soils
(agricultural)



mod. SD
mixed soils



mod. SY
Rocky soils



mod. SJ 52
stump grinder bits



mod. SHR 30
ground tiller



mod. SJ 50
log splitter bit

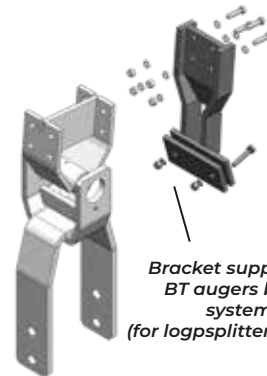
Other excavator arm bracket



Quick hitch
adapter
(not included)



Sideways connection
bracket for BT augers

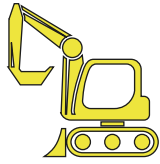


Bracket support for
BT augers block
system
(for logsplitter bit only)

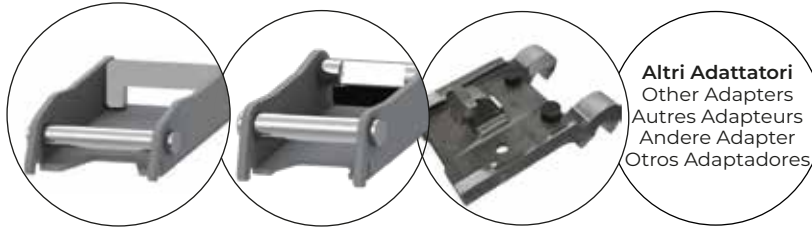


Horizontal
connection
for TB augers

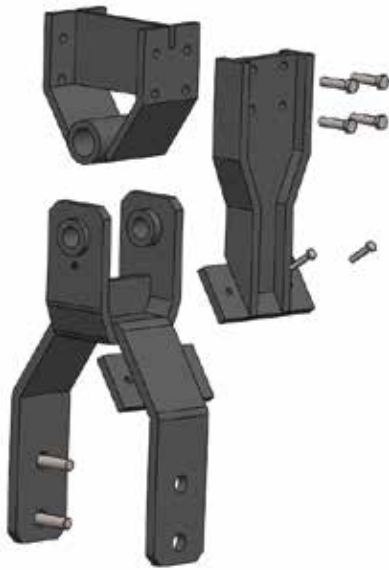
Auger drive unit for excavators



5 - 15 ton



Altri Adattatori
Other Adapters
Autres Adapteurs
Andere Adapter
Otros Adaptadores



Motore orbitale
Riduttore epicicloidale in acciaio.

Orbital Motor
Steel planetary gear unit

Moteur Orbital
Réducteur planétaire en acier

Orbitalmotor
Planetengetriebe aus Stahl

Motor Orbital
Caja de cambios planetaria de acero



ton.



Lt./min.



Kg.

Pressione Max
Max pressure
Pression Maxi
Max Druck

BAR

Cilindrata
Displacement
Cylindree
Klasse

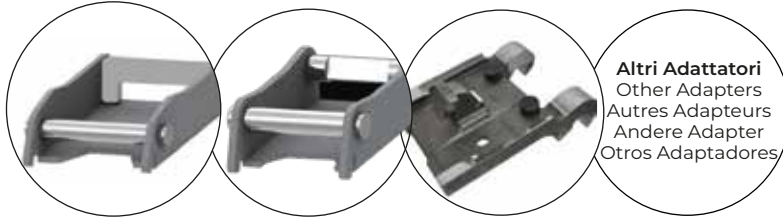
CC

Coppia
Torque
Couple
Drehmont

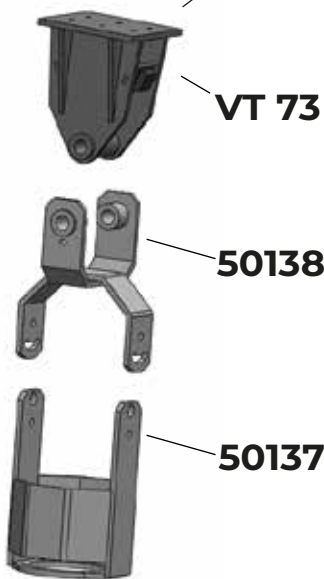
kNm

	ton.	Lt./min.	Kg.	BAR	CC	kNm
TK 10	5 - 8	75	120	220	100	1,8
TK 16	5 - 8	80	120	210	160	2,6
TK 20	8 - 15	120	130	280	200	3,2
TK 25	8 - 15	150	130	280	250	5

Auger drive unit for excavators



Altri Adattatori
Other Adapters
Autres Adapteurs
Andere Adapter
Otros Adaptadores



TV = 70 mm
TS = 100 mm
TT = 130 mm



Motore orbitale
Riduttore epicicloidale in acciaio.

Orbital Motor
Steel planetary gear unit

Moteur Orbital
Réducteur planétaire en acier

Orbitalmotor
Planetengetriebe aus Stahl

Motor Orbital
Caja de cambios planetaria de acero



ton.



Lt./min.



Kg.

Pressione Max
Max pressure
Pression Maxi
Max Druck

BAR

Cilindrata
Displacement
Cylindree
Klasse

CC

Coppia
Torque
Couple
Drehmont

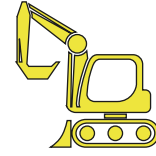
kNm

Velocità
Speed
Vitesse
Geschwindigkeit

rev/lt.

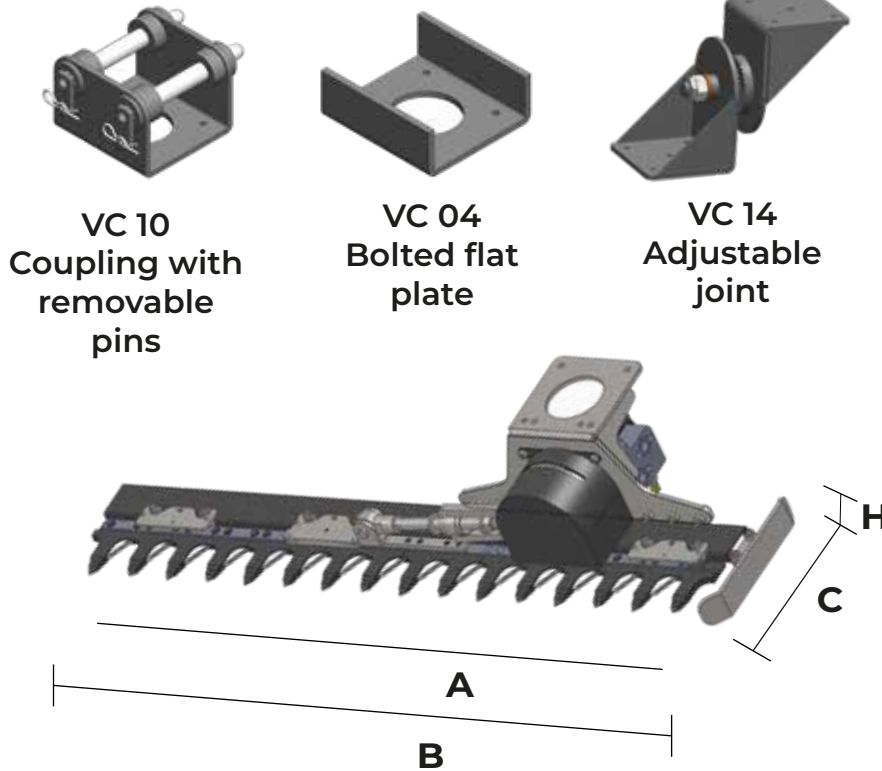
	ton.	Lt./min.	Kg.	BAR	CC	kNm	rev/lt.
TV 40	12 - 25	200	300	400	400	11	0,5
TV 60	12 - 25	200	300	400	600	16	0,33
TV 90	25 - 40	310	300	400	900	24	0,23
TS 04	25 - 42	200	450	380	400	14,5	0,4
TS 08	25 - 42	310	450	380	800	42	0,2
TS 09	25 - 42	370	450	380	900	50	0,12
TT 40	30 - 80	450	900	400	400	81	0,07
TT 60	30 - 80	550	900	400	600	99	0,06
TT 73	30 - 80	400	900	400	900	99	0,05

Hedgecutters



0,7 - 5 ton Ø 2 - 3 cm

MEASURES



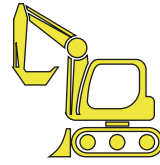
	A (mm.)	B (mm.)	C (mm.)	H (mm.)
BT 50	1200	1270	300	50
BT 51	1200	1270	300	50
BT 52	1200	1270	300	50
BT 53	1200	1270	300	50
BT 54	1600	1670	300	50
BT 55	1600	1670	300	50
BT 56	1600	1670	300	50
BT 57	1800	1870	300	50
BT 58	1800	1870	300	50
BT 59	1800	1870	300	50

Max pressure - 180 bar



	BT 50	BT 51	BT 52	BT 53	BT 54	BT 55	Bt 56	BT 57	BT 58	BT 59
It/min	19	26	40	50	26	40	50	26	40	50
Kg.	42	42	42	42	55	55	55	64	64	64
ton	0,7 - 1,2	1,3 - 2,5	2,6 - 4	4 - 5	2 - 2,5	2,6 - 4	4 - 5	2 - 2,5	2,6 - 4	4 - 5

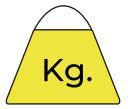
Hedgecutters



2,5 - 8 ton



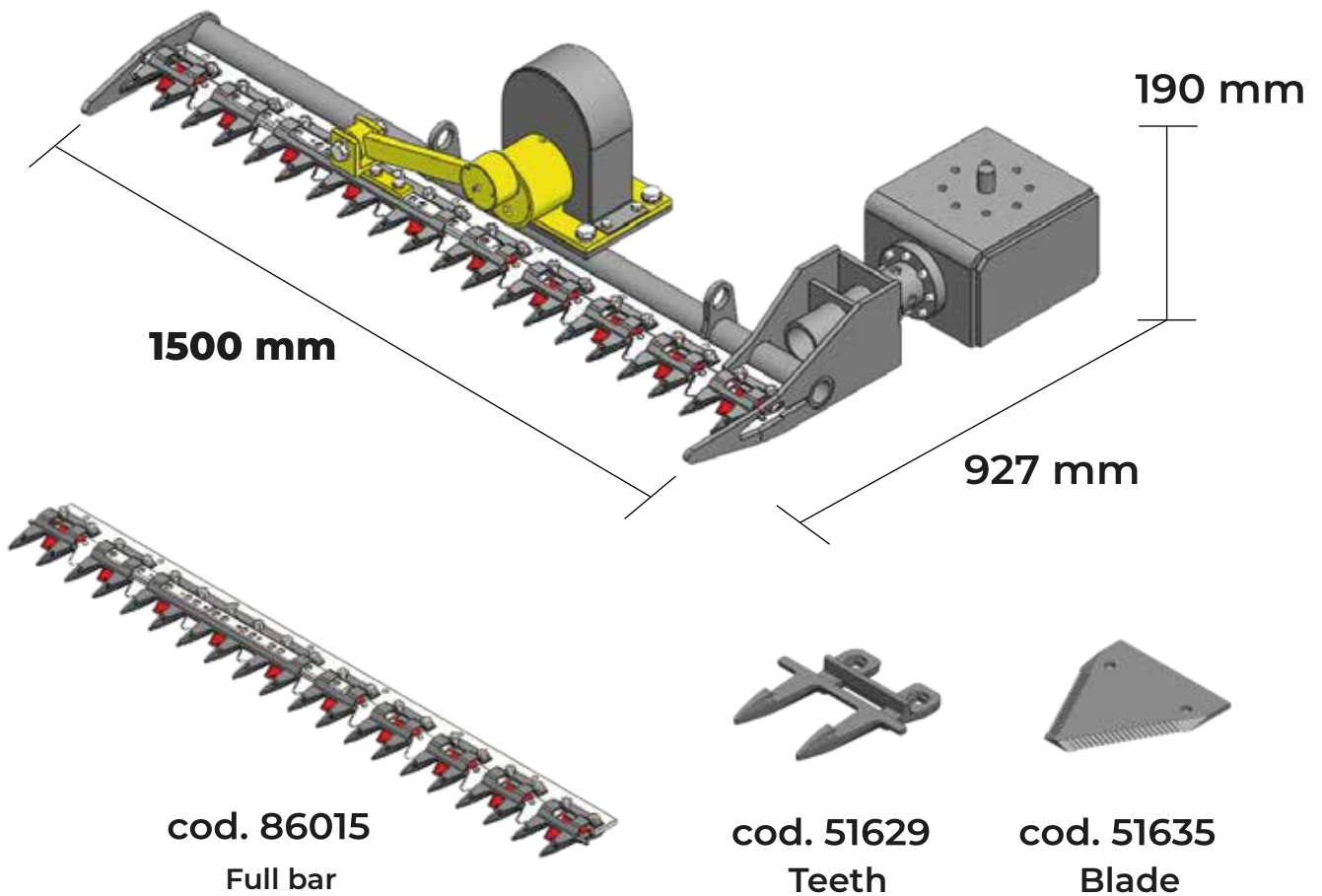
Ø 5 cm



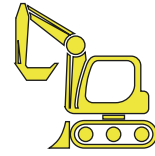
Kg.

110

Max pressure - 140 bar



Mowing buckets



7 - 25 ton

Ø 6 cm



Max pressure - 180 bar



Kg.



ton.



Lt./min.

	Kg.	ton.	Lt./min.
BF A10	110	< 7 ton	40
BF A15	135		
BF A20	155		



Kg.

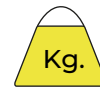


ton.



Lt./min.

	Kg.	ton.	Lt./min.
BF B15	169	7 - 15	40
BF B20	205		
BF B25	230		



Kg.



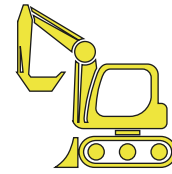
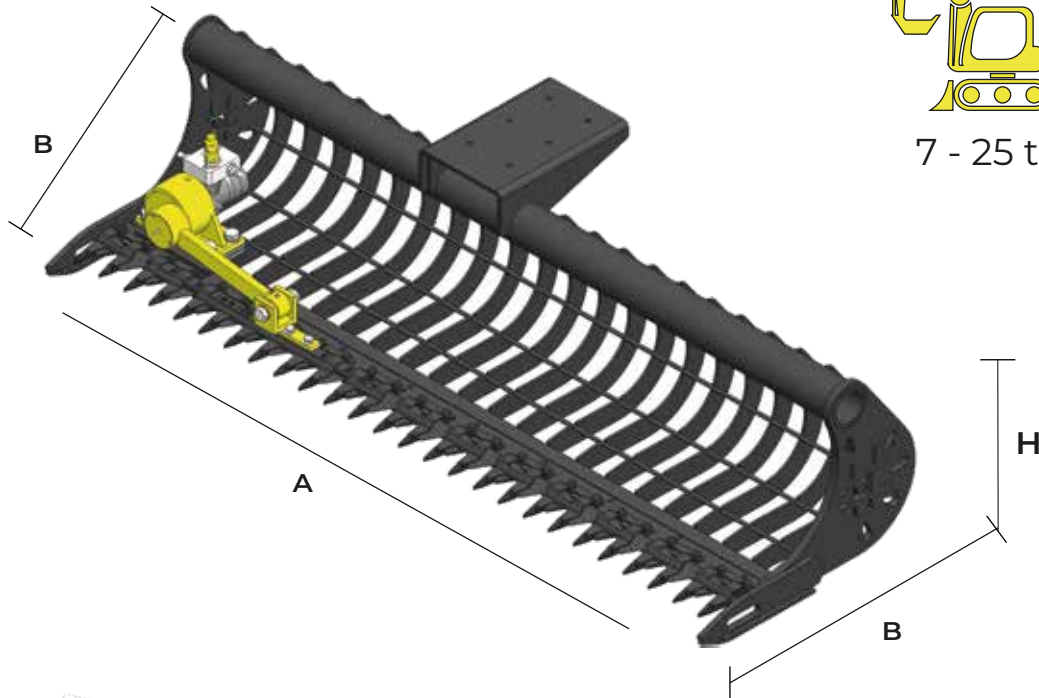
ton.



Lt./min.

	Kg.	ton.	Lt./min.
BF C20	285	15 - 25	40
BF C25	326		
BF C30	390		

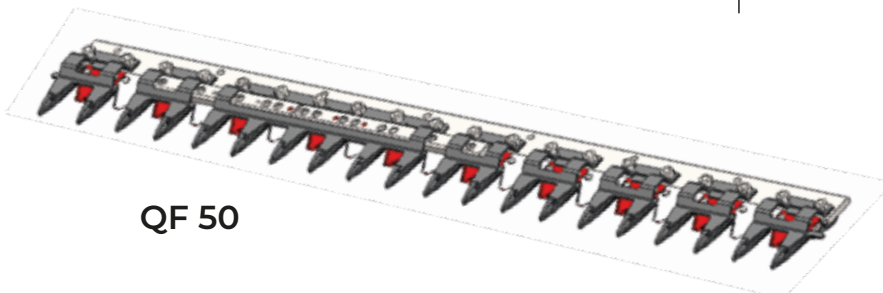
Mowing buckets



7 - 25 ton



Ø 6 cm



QF 51 A03



QF 51 A01



QF 51 A02



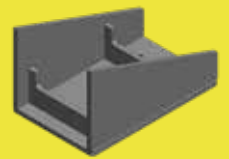
QF 51 A00



Coupling with removable pins



Coupling with welded pins



Quick coupling adapter



	A (mm.)	B (mm.)	C (mm.)	H (mm.)
BFA 10	1000	600	520	390
BFA 15	1500	600	520	390
BFA 20	2000	600	520	390



	A (mm.)	B (mm.)	C (mm.)	H (mm.)
BFB 15	1500	660	590	470
BFB20	2000	660	590	470
BFB 25	2500	660	590	470



	A (mm.)	B (mm.)	C (mm.)	H (mm.)
BFC 20	2000	800	800	600
BFC 25	2500	800	800	600
BFC 30	3000	800	800	600



IP Series 2 - 3 - 5 Piledrivers



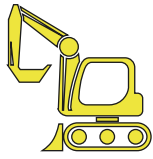
1 - 25 ton



SKF - bearings and seals.
We build exclusively with original SKF bearings and seals.



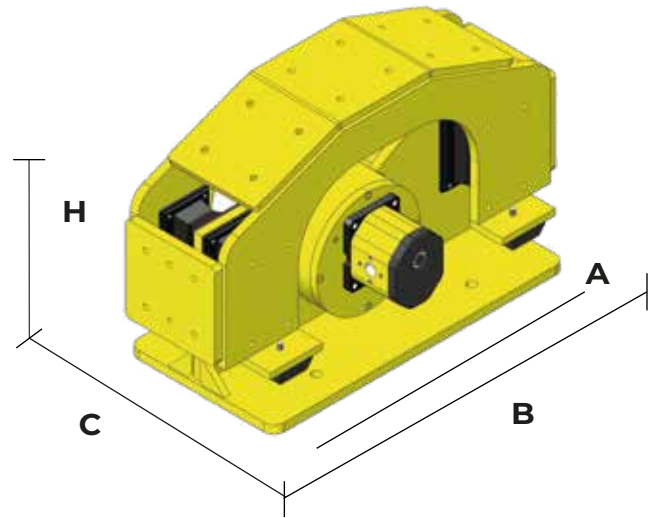
- Direct transmission ✓
- Aluminium motor ✓
- Antishock valves ✓



1 - 25 ton

Measures 

	A (mm.)	B (mm.)	H (mm.)	C (mm.)
IP 22	684	770	475	330
IP 23	684	770	475	330
IP 24	684	770	475	330
IP 25	684	770	475	330
IP 26	684	770	475	330
IP 31	720	810	480	360
IP 32	720	810	480	360
IP 33	720	810	480	360
IP 53	1195	1400	665	440
IP 54	1195	1400	665	440
IP 55	1195	1400	665	440



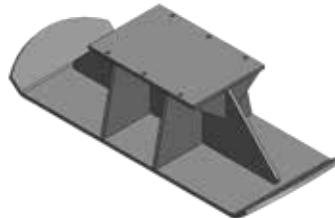
VP 51 Coupling with removable pins



VP 64 Quick coupling adapter (adapter not included)







Pile guide



Compactor plate



Pre-hole drill

	IP 22	IP 23	IP 24	IP 25	IP 31	IP 32	IP 33	IP 53	IP 54	IP 55
 lt/min	26	36	44	55	66	80	100	130	160	200
 Kg.	190				230			650		
 ton	1 - 1,5	1,6 - 2	2,1 - 2,5	2,6 - 3,4	3,5 - 4,5	4,6 - 6,5	6,6 - 10	11- 15	15 - 18	18 - 25
 compactación kg/mq	2000	2200	2400	3600	4500	6000	14400	15000	16500	18000

Accessories for piledrivers



QP 27



QP 28



QP 36



QP 39



lt/min

Max
Pressione
(bar)

Apertura
min - max
(mm)



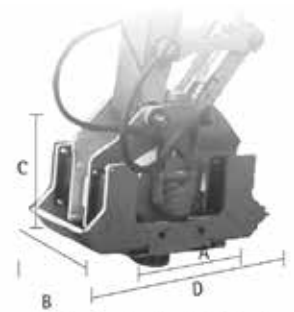
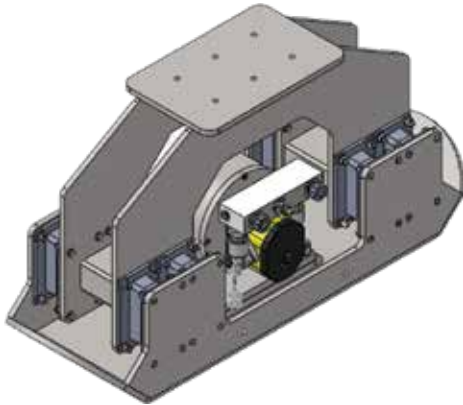
Kg.



ton

QP 27	QP 28	QP 36	QP 39
40			
60		80	
20-320		60-360	
100	110	150	250
2,5 - 10		3,5 - 11	12 - 25

Compactor plates

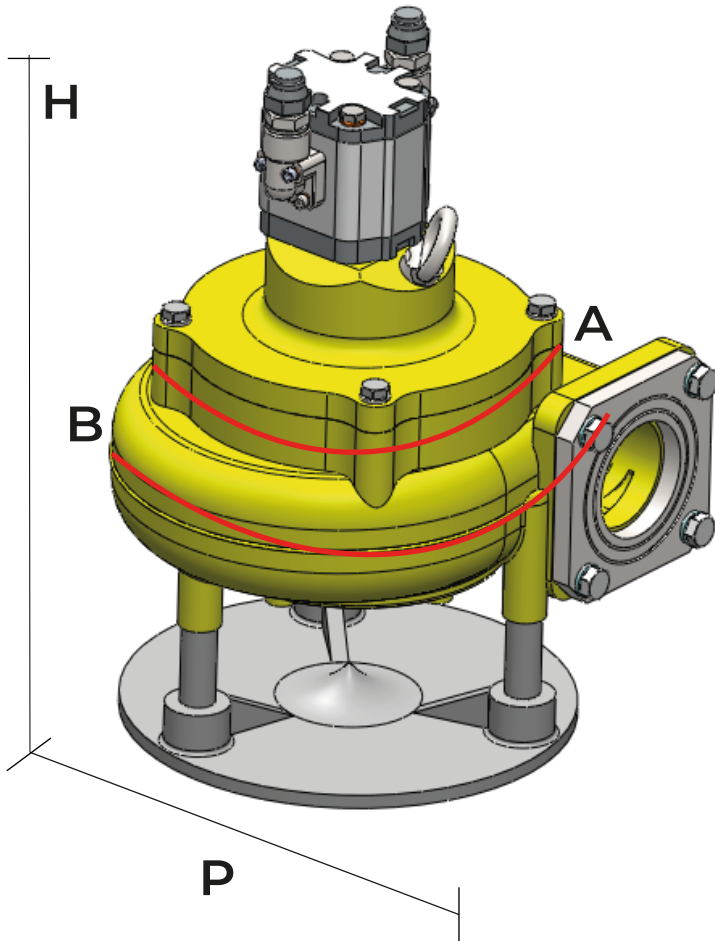


	A	B	C	D
IC 08				
IC 11	700	300	670	900
IC 14	mm	mm	mm	mm
IC 17				
ID 22	920	400	670	1230
ID 26	mm	mm	mm	mm
ID 33				
IE 44	1200	600	650	1510
IE 52	mm	mm	mm	mm

CARATTERISTICHE TECNICHE • TECHNICAL DETAILS • DONNEES TECHNIQUES • TECHNISCHE EIGENSCHAFTEN

Modello - Model - Modèle - Modell	IC 08	IC 11	IC 14	IC 17	ID 22	ID 26	ID 33	IE 44	IE 52
Portata d'olio max - Oil flow max - Débit max - Max Öldurchfluss l/min	26	36	44	55	66	80	100	160	200
Max Pressione - Max Pressure - Pression maxi - Max Druck bar	230				250		250		
Impatto piastra - Plate dimensions Dimensions de la plaque - Abmessungen der Platte mm	300 x 600				400 x 800		600 x 1200		
Peso indicativo - Weight - Poids - Gewicht Kg	180				260		700		
Forza compattazione - Compaction power Puissance de compactage - Verdichtungskraft Kg/m ²	2000	2200	2400	3600	4500	6000	14400	16500	18000
Frequenza - Frequency - Fréquence - Frequenz hertz	50 / 60								
Massima pressione ritorno - Max return pressure Max pression de retour - Max Gegendruck bar	7								
Peso escavatore - Excavator weight Poids de la pelle - Gewicht des Baggers ton	1 - 1.5	1.6 - 2.5	2.5 - 3.0	3.0 - 4.5	4.5 - 5.5	6 - 7	8 - 11	11 - 16	16 - 25

Submersible pumps



	A (mm.)	B (mm.)	H (mm.)	P (mm.)
HB	130	185	310	240
HC	130	190	320	250
HV	235	390	510	560
HZ	235	390	510	560

HB HC	CAST IRON
HV	SINGLE CHAN- NEL IN STEEL
HZ	VORTEX TURBINE

Drying capacity




Flow rate

Water delivery


HB	350 lt./min.	30 lt./min.	Ø 1 1/2" G (50 mm.)
HC	600 lt./min.	50 lt./min.	Ø 2" G (60 mm.)
HV	2000 lt./min.	50 lt./min.	Ø 3" G (80 mm.)
HZ	2000 lt./min.	50 lt./min.	Ø 3" G (80 mm.)


Log Grabs




 **Ottime anche per tronchi, ramaglie e residui di medie / grandi dimensioni.**

 **Excellent even for medium/large logs, branches and residuals.**

 **Aussi excellent pour les troncs, branches et résidus moyens/grands taille.**

 **Auch hervorragend für Koffer, und mittlere/große Reste Größe.**

 **También es excelente para troncos, ramas y residuos de tamaño mediano y grande**

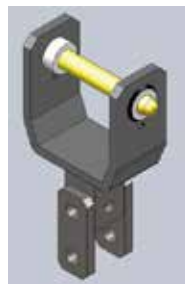
CODICE Code	Apertura Max Max. opening Max. ouverture Max. offnung	Portata Oil flow Dèbit Oldurchfluss	Peso Kg Weight Poids Gewicht	Mezzo Consigliato Recommended excavator	Rotore Compatibile Comp. rotor Komp. rotor	Dimensioni Size Taille Grosse
KH 080	800 mm	1 ton	35	0,8 / 18 q.li	AR12P	500x330x350
KH 100	1000 mm	1,5 ton	75	15 / 35 q.li	AR35P	610x370x350
KH 130	1300 mm	2 ton	120	25 / 45 q.li	AR35P	770x470x500
KH 150	1500 mm	2 ton	150	40 / 65 q.li	AR50P	880x480x570

Design intelligente e costruzione ben bilanciata. Offre una manovrabilità ottimale durante l'uso.

Smart design and well balanced construction. Offers optimal maneuverability during use.

Conception et construction intelligentes et bien équilibré. Il offre une maniabilité optimale lors de l'utilisation.

Intelligentes Design und Konstruktion gut ausbalanciert. Es bietet optimale Manövriertfähigkeit während des Einsatzes.



Rotore Rotor	Portata Oil flow - Dèbit Oldurchfluss	Peso Kg Weight -Poids Gewicht
AR12P	1,2 ton	10
AR35P	3,5 ton	17
AR50P	5,0 ton	25

Aggancio Coupler - Raccord Anschliessen	Peso Escavatore Excavator - Pelle Bagger
VK 01	1 / 2 ton
VK 02	2 / 4 ton
VK 03	4 / 7 ton

Log Grabs

PER MINI - MIDI ESCAVATORI FINO A 15 TON • FOR MINI AND MIDI EXCAVATORS UP TO 15 T
 POUR MINI ET MIDI PELLE JUSQU'À 15 T • FÜR MINI UND MIDI BAGGER BIS 15 T



Pinze per tronchi ideali per la movimentazione, il carico e lo scarico di tronchi d'albero ripuliti dai rami e pronti per il trasporto: possono essere montate sulle gru forestali di tutte le gamme e dimensioni. E' costruita in acciaio domex 710 e munita di valvola di blocco. Trovano impiego in ambito forestale ed industriale, per escavatori fino a 15 ton.



Log grabs suitable for the handling, the loading and the unloading of the logs ready to be transported. They can be mounted on excavators or forestry cranes. They are built of steel Domex 710 and equipped with blocking valves.



Grappins à bois idéales pour le mouvement, le chargement et le déchargement du troncs d'arbre, nettoyés et prêtes pour le transport. Ils peuvent être montés sur pelles ou grues forestières. Fabriqués en acier Domex 710 et équipés avec soupapes d'arrêt



Stammgreifer geeignet für das Halten, Laden und Ausladen von Stämmen. Sie können an Bagger und an Forstkräne montiert werden. Sie sind aus Domex 710 Stahl gebaut und mit Blockventilen ausgestattet.

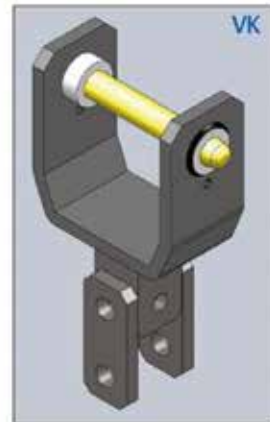


Log Grabs

PARTICOLARI PINZE PER TRONCHI DI SERIE • FEATURES STANDARD LOG GRABS
 CARACTERISTIQUES GRAPPIN À BOIS • EIGENSCHAFTEN STANDARD STAMMGREIFER



ROTATORE IDRAULICO A 360° ILLIMITATO
 HYDRAULIC ROTATOR 360°
 ROTATEUR HYDRAULIQUE À 360° ILLIMITÉ
 HYDRAULISCHES DREHGELENK 360°

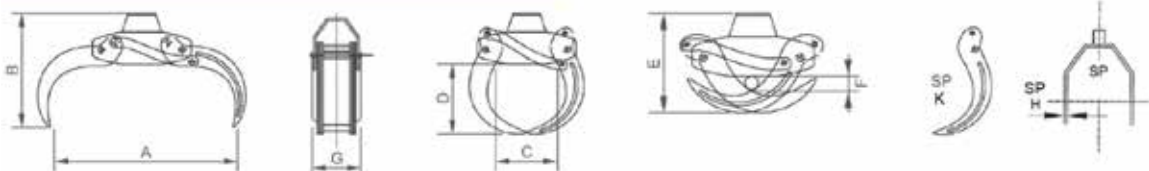


SELLA DI ATTACCO AL BRACCIO 1 PERNO • BRACKET 1 PIN
 ATTACHE AU BRAS 1 AXE • AUFNAHME 1 BOLZEN

Possibilità di attacco a doppio perno oppure per aggancio rapido
 Possibility coupling double pin or for quick hitch.
 Possibilité attache deux axes ou pour attache rapide
 Möglichkeit Aufnahme zwei Bolzen oder für SWE

Modello Model Modèle Modell	Portata max statica Max static load Charge statique maxi Max. statische Ladung	Peso Weight Poids Gewicht
AR 12 P	1,2 ton	10 kg
AR 35 P	3,5 ton	17 kg
AR 50 P	5,0 ton	25 kg
AR 70 P	7,0 ton	36 kg
AR 120 P	12 ton	48 kg
AR 125 F	12 ton	56 kg
AR 175 F	17 ton	70 kg

Modello Model Modèle Modell	Peso escavatore Excavator weight Poids de la pelle Gewicht des Baggers
VK 01	1-2 ton.
VK 02	2-4 ton.
VK 03	4-7 ton.
VK 04	7-15 ton.



Per pressioni superiori ai 250 BAR viene montata una valvola MASSIMA KX05 (optional) • For pressure higher than 250 bar, a MAXIMUM valve will be mounted KX05 (upon request)
 Pour pressions supérieures à 250 Bar, il sera monté une soupape MAXI KX05 (Sur demande) • Für Druck mehr als 250 Bar, ein MAXIMUM Ventil wird montiert KX05 (Auf Wunsch)

CARATTERISTICHE TECNICHE • TECHNICAL DETAILS • DONNEES TECHNIQUES • TECHNISCHE EIGENSCHAFTEN

Modello Model Modèle Modell	Peso Weight Poids Gewicht	Max bar	Capacità sollevamento Lifting capacity Capacité de levage Hubkraft	A mm	B mm	C mm	D mm	E mm	F mm	G mm	SP H mm	SP K mm	Area mq m ² area Surface m ² m ² Fläche	Peso escavatore Excavator weight Poids de la pelle Gewicht des Baggers	Rotatore consigliato Rotator recommended Rotateur conseillé Beratener Drehgelenk
KA 08	60 kg	210	1000	1000	730	405	450	460	65	310	8	8	0,146	0,8 / 1,8 ton	AR 12 P
KA 10	89 kg	250	1400	1000	730	405	450	460	65	310	20	10	0,146	1,9 / 3,0 ton	AR 35 P
KA 12	110 kg	250	1700	1200	770	450	480	510	80	355	20	10	0,201	3,0 / 5,0 ton	AR 50 P
KA 13	155 kg	250	2100	1350	880	500	540	550	90	370	20	12	0,255	4,0 / 7,0 ton	AR 70 P
KA 15	240 kg	250	2700	1550	960	620	630	600	100	430	20	12	0,336	7,0 / 10,0 ton	AR 120 P
KA 15 H	314 kg	350	2900	1550	960	620	630	600	100	430	20	15	0,336	10,0 / 15,0 ton	AR 125 F
KA 17 H	400 kg	350	3400	1750	1100	680	710	670	150	490	20	20	0,428	13,0 / 15,0 ton	AR 175 F

Log Grabs

Serie KL • KL Series • Série KL • Serie KL

PER MINI - MIDI ESCAVATORI FINO A 15 TON • FOR MINI AND MIDI EXCAVATORS UP TO 15 T
 POUR MINI ET MIDI PELLE JUSQU'À 15 T • FÜR MINI UND MIDI BAGGER BIS 15 T



Con questa pinza da legna è possibile svolgere 3 funzioni:

1. utilizzo della sola pinza senza denti e benna per carico tronchi;
 2. utilizzo con denti allargatori (in foto) per prendere ramaglie o merci sfuse;
 3. utilizzo di due benne per carico di cippato, sabbia, terra e tutte quelle merci sfuse.
- Tutto questo semplicemente montando 4 perni in meno di 2 minuti.



Log grab suitable for 3 functions:

1. use of the grab without teeth and bucket, for the log loading;
2. use of the grab with widening teeth (see picture) for the loading of branches or melted goods;
3. use of two buckets to load wood chips, sand, earth and all melted goods.

All simply assembling 4 pins in less than 2 minutes.



Grappin à bois avec 3 fonctions:

1. utilisation du grappin sans dents et godet pour charger les troncs;
 2. utilisation avec des dents élargisseurs (photo) pour charger des branches ou matériaux en vrac;
 3. utilisation de deux godets pour charger de la sable, de la terre, des copeaux ou matériaux en vrac.
- Il faut simplement monter 4 axes en moins de 2 minutes.



Mit diesem Greifer kann man:

1. nur den Greifer ohne Zähne und Schaufel für das Laden von Stämmen benutzen;
2. den Greifer mit erweiternden Zähnen (Bild) für das Laden von Reisigen und Schüttgüter benutzen;
3. zwei Schaufeln für das Laden von Spänen, Sand, Bodenkrumen und Schüttgüter benutzen.

Man soll nur 4 Bolzen in weniger als 2 Minuten montieren.



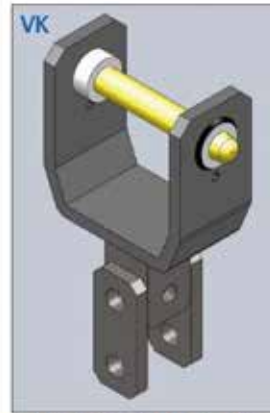
Log Grabs

PARTICOLARI PINZE PER TRONCHI DI SERIE • FEATURES STANDARD LOG GRABS
CHARACTERISTIQUES GRAPPIN À BOIS • EIGENSCHAFTEN STANDARD STAMMGREIFER

ACCESSORIO KM
DEVICE KM • ACCESSOIRE KM
ZUBEHÖR KM



AR
ROTATORE IDRAULICO A 360° ILLIMITATO
HYDRAULIC ROTATOR 360°
ROTATEUR HYDRAULIQUE À 360° ILLIMITÉ
HYDRAULISCHES DREHGELENK 360°

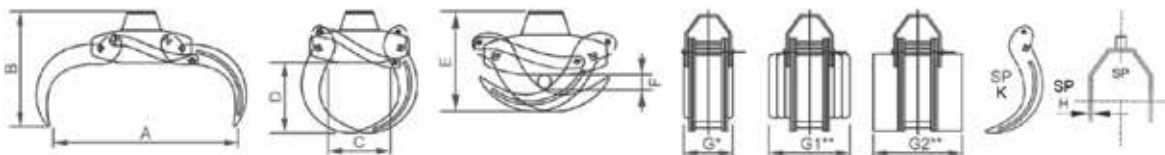


VK
SELLA DI ATTACCO AL BRACCIO 1 PERNO • BRACKET 1 PIN
ATTACHE AU BRAS 1 AXE • AUFNAHME 1 BOLZEN
 Possibilità di attacco a doppio perno oppure per aggancio rapido
 Possibility coupling double pin or for quick hitch.
 Möglichkeit Aufnahme zwei Bolzen oder für SWE



Modello Model Modèle Modell	Portata max statica Max static load Charge statique maxi Max. statische Ladung	Peso Weight Poids Gewicht
AR 12 P	1,2 ton.	10 kg
AR 35 P	3,5 ton.	17 kg
AR 50 P	5,0 ton.	25 kg
AR 70 P	7,5 ton.	36 kg
AR 120 P	12,0 ton.	120 kg

Modello Model Modèle Modell	Peso escavatore Excavator weight Poids de la pelle Gewicht des Baggers
VK 01	1 - 2 ton
VK 02	2 - 4 ton
VK 03	4 - 7 ton
VK 04	7 - 15 ton



Per pressioni superiori ai 250 BAR viene montata una valvola MASSIMA KX05 (optional) • For pressure higher than 250 bar, a MAXIMUM valve will be mounted KX05 (upon request)
 Pour pressions supérieures à 250 Bar, il sera monté une soupape MAXI KX05 (Sur demande) • Für Druck mehr als 250 Bar, ein MAXIMUM Ventil wird montiert KX05 (Auf Wunsch)

CARATTERISTICHE TECNICHE • TECHNICAL DETAILS • DONNEES TECHNIQUES • TECHNISCHE EIGENSCHAFTEN

Modello Model Modèle Modell	Peso Weight Poids Gewicht	Max bar	Capacità sollevamento Lifting capacity Capacité de levage Hubkraft	A mm	B mm	C mm	D mm	E mm	F mm	G mm	G1/G2 mm	SP H mm	SP K mm	Area mq m ² area Surface m ² m ² Fläche	Peso escavatore Excavator weight Poids de la pelle Gewicht des Baggers	Rotatore consigliato Rotator recommended Rotateur conseillé Beratener Drehgelenk
KL 08	105 kg	210	1.200 kg	1000	730	405	450	460	65	310	650	10	10	0,146	1,6 / 1,8 ton.	AR12P
KL 10	122 kg	250	1.400 kg	1000	730	405	450	460	65	310	650	20	10	0,146	1,9 / 4,0 ton.	AR35P
KL 12	205 kg	250	1.700 kg	1200	770	450	480	510	80	355	680	20	10	0,201	3,5 / 5,0 ton.	AR50P
KL 13	250 kg	250	2.100 kg	1350	880	500	540	550	90	370	750	20	12	0,255	4,5 / 8,0 ton.	AR70P
KL 15	320 kg	250	2.700 kg	1550	960	620	630	600	100	430	850	20	12	0,336	8,0 / 10,0 ton.	AR120P

Log Grabs

PARTICOLARI PINZA DA ROCCIA • FEATURES STANDARD ROCK GRAB
CHARACTERISTIQUES PINCE A ROCHE • EIGENSCHAFTEN STANDARD STEINGREIFER



**ROTATORE IDRAULICO IN ACCIAIO A 360°
 PER USO ORIZZONTALE E VERTICALE**
 HYDRAULIC STEEL ROTATOR 360° FOR HORIZONTAL
 AND VERTICAL USE
 ROTATEUR HYDRAULIQUE A° 360° EN ACIER POUR UTILISATION
 VERTICALE ET HORIZONTALE
 HYDRAULISCHES DREHGELENK 360° AUS STAHL
 FÜR HORIZONTALE UND VERTICALE BENUTZUNG



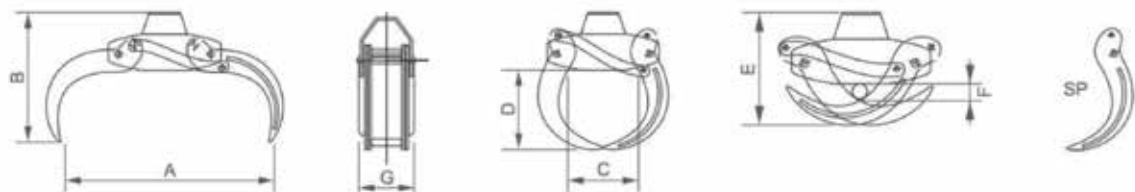
POSSIBILITÀ DENTI ALLARGATORI
 POSSIBILITY WIDENING TEETH
 POSSIBILITE' DENTS ÉLARGISSEURS
 MÖGLICHKEIT ERWEITERNDEN ZÄHNEN

Modello Model Modèle Modell	Portata max statica Max static load Charge statique maxi Max. statische Ladung	Peso Weight Poids Gewicht
AP 02	2 ton	13 kg
AP 04	4 ton	24 kg
AP 05	5 ton	40 kg
AP 06	6 ton	55 kg
AP 09	9 ton	75 kg
AP 10	10 ton	90 kg



**SELLA DI ATTACCO AL BRACCIO
 A DUE PERNI O PREDI-
 SPOSTA PER ATTACCO RAPIDO**
 BRACKET DOUBLE PIN OR FOR
 QUICK HITCH
 PLATINE DEUX AXES OU POUR
 ATTACHE RAPIDE
 AUFNAHME ZWEI BOLZEN
 ODER FÜR SWE

Modello - Model Modèle - Modell	Peso escavatore - Excavator weight Poids de la pelle - Gewicht des Baggers
VK 51	1 - 2 ton
VK 52	2 - 4 ton
VK 53	4 - 8 ton
VK 54	8 - 15 ton

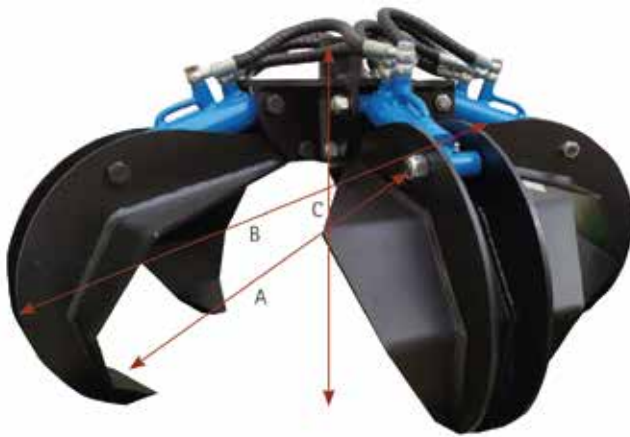


Per pressioni superiori ai 250 BAR viene montata una valvola MASSIMA KX05 (optional) • For pressure higher than 250 bar, a MAXIMUM valve will be mounted KX05 (upon request)
 Pour pressions supérieures à 250 Bar, il sera monté une soupape MAXI KX05 (Sur demande) • Für Druck mehr als 250 Bar, ein MAXIMUM Ventil wird montiert KX05 (Auf Wunsch)

CARATTERISTICHE TECNICHE • TECHNICAL DETAILS • DONNEES TECHNIQUES • TECHNISCHE EIGENSCHAFTEN

Modello Model Modèle Modell	Peso Weight Poids Gewicht Kg	Max bar	Capacità sollevamento Lifting capacity Capacité de levage Hubkraft	Capacità di sollevamento in posizione orizzontale Horizontal lifting capacity Capacité de levage horizontale Horizontale Hubkraft Kg	A mm	B mm	C mm	D mm	E mm	F mm	G mm	SP	Area mq m ² area m ² Fläche	Range escavatore Excavator weight Poids pelle Baggergewicht	Rotatore Rotorator Rotateur Drehgelenk
KP 09	120	250	1600	800	1000	730	405	450	460	65	310	10	0,146	2-3 T	AP 02
KP 10	147	250	1700	850	1000	730	405	450	460	65	310	10	0,146	3-4 T	AP 04 AP 05
KP 12	155	250	1900	950	1200	770	450	480	510	80	355	10	0,201	4-5 T	AP 06
KP 13	262	250	2300	1150	1350	880	500	540	550	90	370	12	0,255	5-8 T	AP 09
KP 15	275	250	2900	1450	1550	960	620	630	600	100	430	12	0,336	9-10 T	AP 10

MODEL Modello Modèle Modell Modelo	WEIGHT Peso Poids Gewicht Peso	Max bar	LIFT. CAPACITY Sollevamento Levage Hubkraft Elevar	A mm	B mm	C mm	D mm	E mm	Volume Volumen	EXCAVATOR Escavatore Pelle Bagger Excavador
PO 70	76 kg	180	500 kg	650	950	450	600	570	70 Lt.	Max 2,5 ton.
PO 100	88 kg	180	500 kg	950	1110	460	600	700	100 Lt.	Max 2,5 ton.



HYDRAULIC ROTATOR 360°
 ROTATORE IDRAULICO A 360° ILLIMITATO
 ROTATEUR HYDRAULIQUE À 360° ILLIMITÉ
 HYDRAULISCHES DREHGELENK 360°
 ROTADOR HIDRAULICO ILIMITADO 360°

BRACKET
 SELLA DI ATTACCO AL BRACCIO
 ATTACHE AU BRAS
 AUFNAHME
 ATAQUE



Model:
 (Modello, Modèle, Modell, Modelo)

AR 12

Max static load:
 (Portata max statica, Charge
 statique maxi, Max. statische
 Ladung, Maxima capacidad)

1,2 ton.

Excavator weight:
 (Peso escavatore, Poids de la pelle
 Gewicht des Baggers, Peso
 Excavador)

1,0 - 1,8 ton.



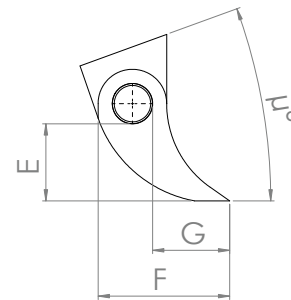
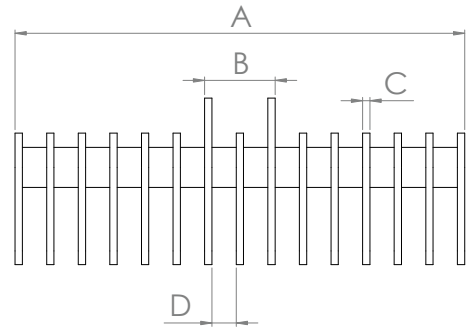
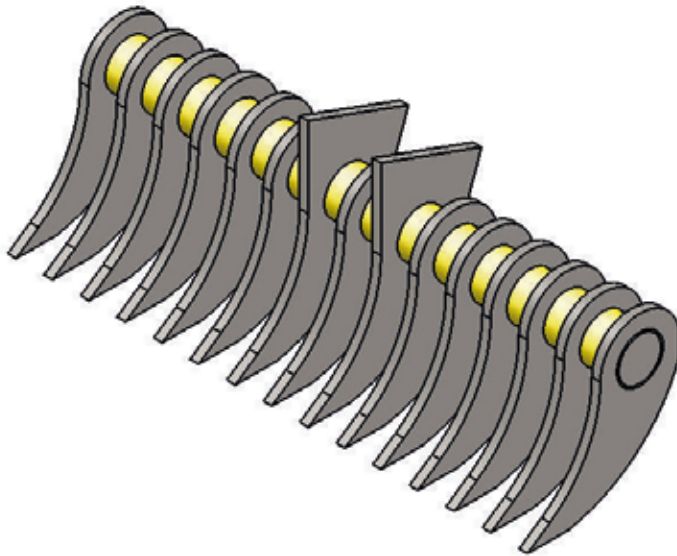
Model:
 (Modello, Modèle, Modell, Modelo)

VK 01

Excavator weight:
 (Peso escavatore, Poids de la pelle
 Gewicht des Baggers, Peso
 Excavador)

1,0 - 2,0 ton.

Rakes



Modello - Model - Modèle - Modell		BC 07	BC 10	BC 15	BC 20	BC 20H
Peso (attacco escluso) - Weight (without coupling)	Kg	48	70	140	165	390
Poids (sans attache) - Gewicht (ohne Aufnahme)						
Numero denti - Teeth quantity		11	15	23	29	29
Quantité dents - Zahnmenge						
A	mm	665	925	1560	1980	1980
B	mm	145		160	160	300
C	mm	15		20		
D	mm	50				
E	mm	160				230
F	mm	270,5				425
G	mm	158,5				185,0
μ	mm	20				30
Materiale - Material - Matière - Werkstoff		FE 510				FE 510
Escav. Indicativo - Excavator weight	ton	0,7 - 1,5	1,5 - 2,5	2,5 - 5,0	5,0 - 7,0	7,0 - 15,0
Poids de la pelle - Baggergewicht						

www.ghedini.com - GHEDINI ATTACHMENTS - Made in Italy

GHEDINI[®]
ATTACHMENTS



*Ghedini
Attachments*



*Ghedini_
Attachments*



*Ghedini
Attachments*



www.ghedini.com



+39 0532 857873



Ghedini ing. Fabio & C. sas - ITALY
via Canne 47 - 44011 Argenta (FE)
tel. +39 0532 857873 - www.ghedini.com

